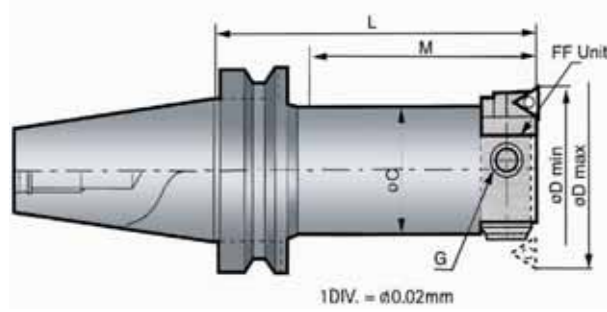


## HBCF MİKROBARLI HASSAS BARALAMA SERİSİ

HBCF Type Fine Boring Line With Microbar



### HBCF MICRO BORING BAR HBCF HASSAS DELİK İŞLEME KAFALARI



HASSASİYET: Ø0,02 mm

Accuracy : Ø0,02 mm

ORDER CODE SİPARİŞ KOD	ARALIK-RANGE			MAX. İŞLEME BOYU (DEPTH) M	Ø C	G	FF UNIT MICROBAR	KESİCİ UÇ INSERT	KG.
	Min	MAX.	L						
BT40 HBCF29.5-165	29.5	42	165	130	25	M6	FF10-30S	TBGT0601..L	1.4
HBCF29.5-225	29.5	42	225	190	25	M6	FF10-30S	TBGT0601..L	1.8
BT40 HBCF39 -165	39	50	165	130	32	M8	FF12-39S	TBGT0601..L	1.9
HBCF39 -225	39	50	225	190	32	M8	FF12-39S	TBGT0601..L	2.0
BT40 HBCF47 -165	47	66	165	130	40	M10	FF16-47S	TPGT0802..L	2.1
HBCF47 -225	47	66	225	190	40	M10	FF16-47S	TPGT0802..L	2.7
BT40 HBCF58 -165	58	83	165	130	50	M12	FF20-58S	TPGT0802..L	3.1
HBCF58 -240	58	83	240	205	50	M12	FF20-58S	TPGT0802..L	3.6
BT40 HBCF79 -165	79	108	165	130	63	M16	FF25-79S	TPGT1103..L	3.8
HBCF79 -240	79	108	240	205	63	M16	FF25-79S	TPGT1103..L	4.9
BT40 HBCF100 -165	100	141	165	130	80	M20	FF32-100S	TPGT1103..L	6.8
HBCF100 -240	100	141	240	205	80	M20	FF32-100S	TPGT1103..L	7.4
BT50 HBCF29.5 -165	29.5	42	165	130	25	M6	FF10-30S	TBGT0601..L	4.5
HBCF29.5 -225	29.5	42	225	190	25	M6	FF10-30S	TBGT0601..L	5.5
BT50 HBCF39 -165	39	50	165	130	32	M8	FF12-39S	TBGT0601..L	5.0
HBCF39 -240	39	50	225	190	32	M8	FF12-39S	TBGT0601..L	5.5
BT50 HBCF47 -165	47	66	165	130	40	M10	FF16-47S	TPGT0802..L	5.3
HBCF47 -240	47	66	225	190	40	M10	FF16-47S	TPGT0802..L	5.8
BT50 HBCF58 -165	58	83	165	130	50	M12	FF20-58S	TPGT0802..L	6.0
HBCF58 -240	58	83	240	205	50	M12	FF20-58S	TPGT0802..L	6.7
BT50 HBCF79 -165	79	108	165	130	63	M16	FF25-79S	TPGT1103..L	8.1
HBCF79 -240	79	108	240	205	63	M16	FF25-79S	TPGT1103..L	8.9
BT50 HBCF100 -165	100	141	165	130	80	M20	FF32-100S	TPGT1103..L	9.1
HBCF100 -240	100	141	240	205	80	M20	FF32-100S	TPGT1103..L	9.6

Boring Bar with right angle micro unit. Easy setting and wide cutting range for hole operationing.

Sağ kesme açılı microbarlı kafa, ayarlama kolaylığı ve geniş işleme aralığı delik işleme operasyonlarında büyük avantaj sağlar

## HBCF MİKROBARLI HASSAS BARALAMA SERİSİ

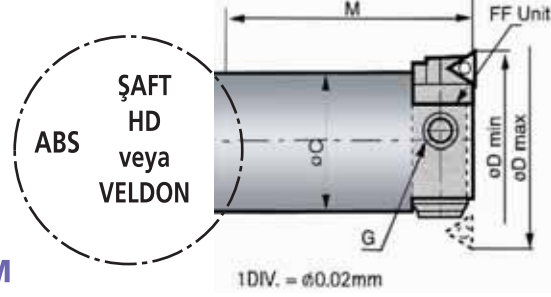
HBCF Type Fine Boring Line With Microbar

MODULAR TYPE HBCF MICRO BORING BAR

MODÜLER TİP HBCF HASSAS DELİK İŞLEME KAFALARI



MİKROBARLI SİSTEM



HASSASİYET: Ø0,02 mm

Accuracy : Ø0,02 mm

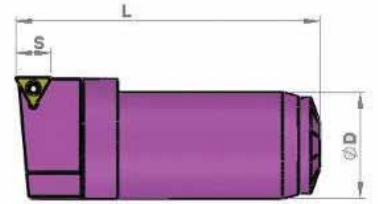
ORDER CODE SİPARİŞ KOD	ARALIK-RANGE		MAX. İŞLEME BOYU(DEPTH) M	Ø C	G	FF UNIT MICROBAR	KESİCİ UÇ INSERT
	MİN	MAX.					
HD22 HBCF29.5-150	29.5	42	115	25	M6	FF10-30S	TBGF0600..L
HD22 HBCF39 -150	39	50	115	32	M8	FF12-39S	TBGF0601..L
HD22 HBCF47 -150	47	66	115	40	M10	FF16-47S	TPGF0802..L
HD22 HBCF58 -150	58	83	115	50	M12	FF20-58S	TPGF0802..L
HD22 HBCF79 -150	79	108	115	63	M16	FF25-79S	TPGF1103..L
HD22 HBCF29.5-165	29.5	42	130	25	M6	FF10-30S	TBGT0601..L
HD22 HBCF29.5-225	29.5	42	190	25	M6	FF10-30S	TBGT0601..L
HD32 HBCF39 -165	39	50	130	32	M8	FF12-39S	TBGT0601..L
HD32 HBCF39 -225	39	50	190	32	M8	FF12-39S	TBGT0601..L
HD32 HBCF47 -165	47	66	130	40	M10	FF16-47S	TPGT0802..L
HD32 HBCF47 -225	47	66	190	40	M10	FF16-47S	TPGT0802..L
V40 HBCF58 -165	58	83	130	50	M12	FF20-58S	TPGT0802..L
V40 HBCF58 -240	58	83	205	50	M12	FF20-58S	TPGT0802..L
ABS63 HBCF79 -165	79	108	130	63	M16	FF25-79S	TPGT1103..L
ABS63 HBCF79 -240	79	108	205	63	M16	FF25-79S	TPGT1103..L
ABS80 HBCF100 -165	100	141	130	80	M20	FF32-100S	TPGT1103..L
ABS80 HBCF100 -240	100	141	205	80	M20	FF32-100S	TPGT1103..L

### FF SERIE MODULER SİSTEM MICROBAR GRUBU

FF ÜNİT (FF)

FF SERIE MICROBAR

ORDER NO	øD	L	S	INSERT	SCREW	WRENCH	STOCK
FF 12- 39S	12	37.5	3.5	TBGT0601○○ L	BFTX0204A	TRX06	•
FF 16- 47S	16	45	5	TBGT0802○○ L	BFTX0204A	TRX06	•
FF 20- 58S	20	56	7	TBGT0802○○ L	BFTX0204A	TRX06	•
FF 25- 79S	25	77.5	8	TBGT1103○○ L	BFTX0307A	TRX10	•
FF 32-100S	32	97	11	TBGT1103○○ L	BFTX0307A	TRX10	•
FF 32-138S	32	131	11	TBGT1103○○ L	BFTX0307A	TRX10	•



Boring Bar with right angle micro unit. Easy setting and wide cutting range for hole operationing.

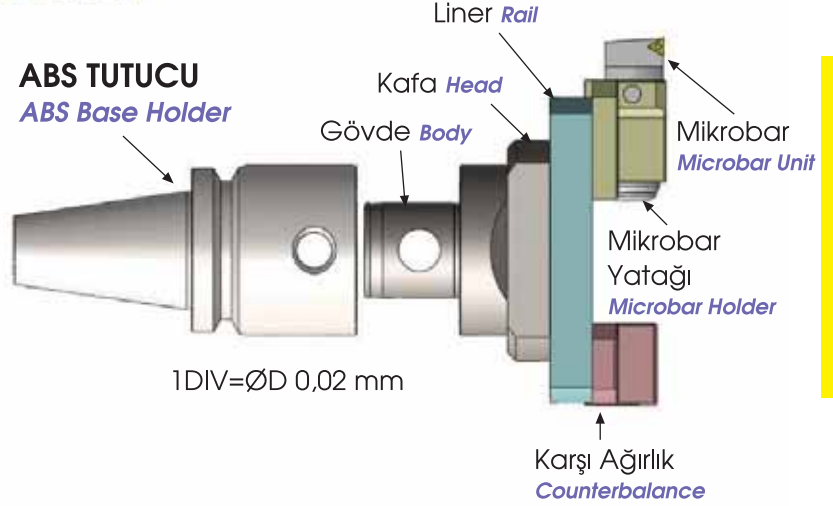
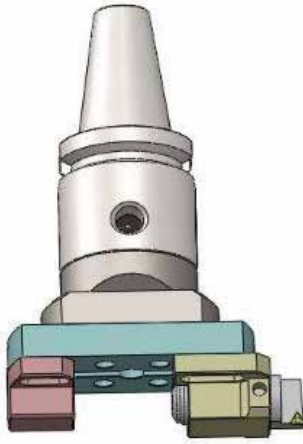
Sağ kesme açılı microbarlı kafa, ayarlama kolaylığı ve geniş işleme aralığı delik işleme operasyonlarında büyük avantaj sağlar

## HBCF MİKROBARLI HASSAS BARALAMA SERİSİ

HBCF Type Fine Boring Line With Microbar

### FF BALANCED TOOL LARGE RANGE (HBCF TYPE)

### BALANS DENGELİ DELİK İŞLEME KAFALARI (HBC TYPE)



HASSASİYET: Ø0,02 mm

Accuracy : Ø0,02 mm

ORDER CODE SİPARİŞ KOD	ARALIK-RANGE		L	ANA TUTUCU	ADAPTER ARA ADAPTÖR	MICROBAR HEAD MİKROBARLI KAFA	MICROBAR FF UNIT	INSERT KESİCİ UÇ
	MİN	MAX.						
....HBCF 105-230	105	150	230	....ABS80	ABS80-ABS80-70	HBCF105F	FF25-79S	TPGT1103.....L
....HBCF 105-300	105	150	300	....ABS80	ABS80-ABS80-70	HBCF105F	FF25-79S	TPGT1103.....L
....HBCF 150-250	150	200	250	....ABS100	ABS100-ABS100-100	HBCF150F	FF25-79S	TPGT1103.....L
....HBCF 150-330	150	200	330	....ABS100	ABS100-ABS100-100	HBCF150F	FF25-79S	TPGT1103.....L
....HBCF 150-420	150	200	420	....ABS100	ABS100-ABS100-100	HBCF150F	FF25-79S	TPGT1103.....L
....HBCF 200-250	200	250	250	....ABS100	ABS100-ABS100-100	HBCF200F	FF25-79S	TPGT1103.....L
....HBCF 200-330	200	250	330	....ABS100	ABS100-ABS100-100	HBCF200F	FF25-79S	TPGT1103.....L
....HBCF 200-420	200	350	420	....ABS100	ABS100-ABS100-100	HBCF200F	FF25-79S	TPGT1103.....L
....HBCF 250-250	250	350	250	....ABS120	ABS120-ABS120-100	HBCF250F	FF25-79S	TPGT1103.....L
....HBCF 250-330	250	350	330	....ABS120	ABS120-ABS120-100	HBCF250F	FF25-79S	TPGT1103.....L
....HBCF 250-420	250	350	420	....ABS120	ABS120-ABS120-100	HBCF250F	FF25-79S	TPGT1103.....L
....HBCF 350-250	350	450	250	....ABS120	ABS120-ABS120-100	HBCF350F	FF25-79S	TPGT1103.....L
....HBCF 350-400	350	450	350	....ABS120	ABS120-ABS120-100	HBCF350F	FF25-79S	TPGT1103.....L
....HBCF 450-250	450	550	350	....ABS120	ABS120-ABS120-100	HBCF450F	FF25-79S	TPGT1103.....L
....HBCF 450-350	450	550	350	....ABS120	ABS120-ABS120-100	HBCF450F	FF25-79S	TPGT1103.....L
....HBCF 550-250	550	650	250	....ABS120	ABS120-ABS120-100	HBCF550F	FF25-79S	TPGT1103.....L
....HBCF 550-350	550	650	350	....ABS120	ABS120-ABS120-100	HBCF550F	FF25-79S	TPGT1103.....L

-Finish cutting Modular type micro boring bar best suiting large size hole.

-Finiş işlemede modüler tip mikrobar tipli delik işleme kafaları, geniş ölçü aralıklarında çalışır.

Type	Spare Parts							
	Basic							Option
	Basic Holder	Taper Screw	Head	Rail	Unit Holder	Balance Block	Wrench	Unit
BCF250	BT50-MD90F	BT11631F	BCH-255	BCR-250F	BCB-FF25	BCB-FFB	LW-8	FF25-79S
BCF350	BT50-MD90F	BT11631F	BCH-255	BCR-350F	BCB-FF25	BCB-FFB	LW-8	FF25-79S

SİPARİŞ ÖRNEĞİ: BT50 HBCF 250-250 KOMPLE SET  
MICROBAR: FF25-79S

ARA ADAPTÖR:ABS100-ABS100-80  
KOMPLE KAFA: HBCF200-250