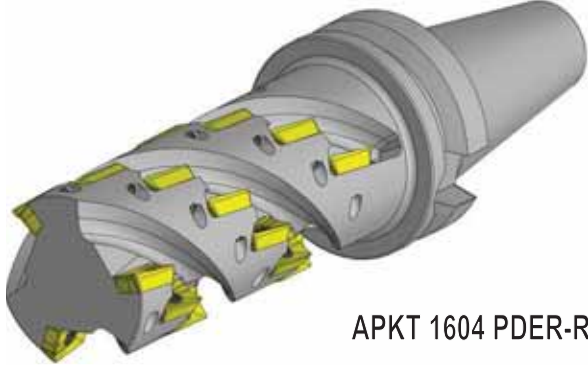


KONİK ŞAFTLI HELİSEL KANALLI FREZE *Helical Milling Holder With Conical Shank*

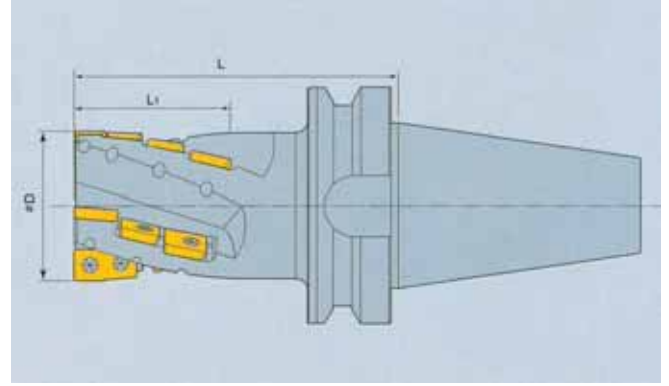
Full Effective

Ful efektif ağızlarda helis kesme





APKT 1604 PDER-RM

EXTENDED FLUTE END MILL  
HELİS FREZE KAFASI




ALSO VALID CAT 40 - CAT 50 / SK 40 - SK 50 SHANK HELICAL MILLING CUTTER  
CAT 40 - CAT 50 / SK 40 - SK 50 ŞAFTLI OLANLARIDA ÜRETİLMEKTEDİR.

BT40 / BT50 - LEHE

DESIGNATION TANIMLAMA	DIMENSION (mm) ÖLÇÜLER				INSERT kesici uç	COMPONENT YEDEK PARÇALAR	
	D	L1	L		APKT 1604 PDER-RM	Screw	Wrench
(BT40) / (BT50)-LEHE50-125-AP16	50	53	125	3	12	 HSV 4010	 T15
(BT40) / (BT50)-LEHE50-145-AP16	50	74	145	3	18		
(BT40) / (BT50)-LEHE50-165-AP16	50	100	165	3	24		
(BT40) / (BT50)-LEHE50-230-AP16	50	153	230	3	36		
(BT40) / (BT50)-LEHE63-135-AP16	63	64	135	4	20		
(BT40) / (BT50)-LEHE63-155-AP16	63	84	155	4	28		
(BT40) / (BT50)-LEHE63-175-AP16	63	103	175	4	32		
(BT40) / (BT50)-LEHE63-230-AP16	63	153	230	4	48		
BT50-LEHE80-155-AP16	80	84	155	6	42		
BT50-LEHE80-175-AP16	80	103	175	6	48		

TEKNO MILL

INSERTS / KESİCİ UÇLAR

SHAPE / ŞEKİL	MAIN GRADE / TEMEL KALİTELER	
 APKT 1604 PDER-RM  YG1	Çelik ve Paslanmaz Çelik	YG212AP (CY22A)
	Steel & Stainless Steel	
	Döküm Cast Iron	YG232AC
	Yumuşak Çelik Ductile Steel	YG233AP (XZ00000004)

